

installation instructions:

# DECORATIVE WALL PANELS

## SAFETY INSTRUCTIONS

Make sure to use the correct tools recommended.

Wear safety goggles.

Follow adhesive, power tools, and paint manufacturers' instructions and users manuals.

Use common sense and follow good construction practices.

## TOOL & MATERIAL CHECKLIST

- construction adhesive
- power drill or hammer
- finishing nails or screws
- extra fine sandpaper
- 100% acrylic paint
- level or chalk line

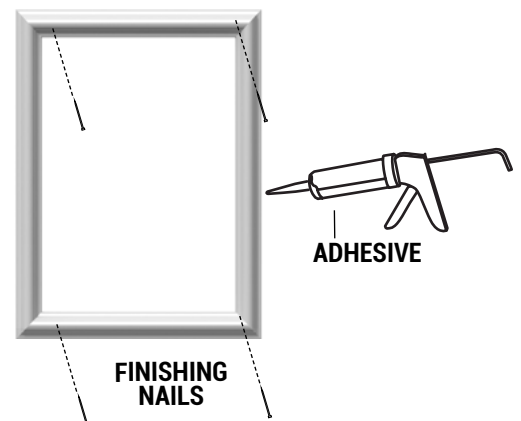
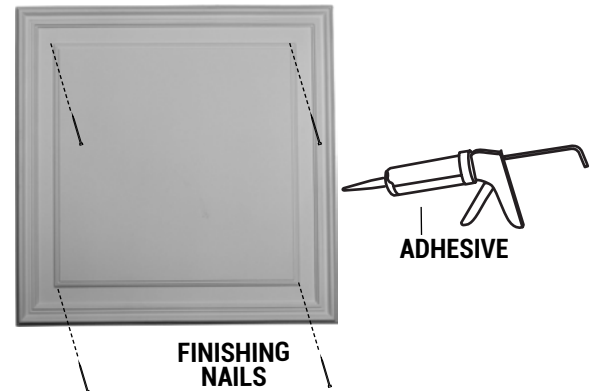
### IMPORTANT INFO

- It is highly recommended that you paint or finish your panel before you install it.
- Recommended use of 100% acrylic latex paint
- Clean the installation surface and back of panel of any debris with a clean cloth.
- Always allow the panels to acclimate in the room where they'll be installed for 48 hours prior to installation.

## STEP BY STEP INSTRUCTIONS

1. Establish a level line for the top of the panels. Measure up from the floor and make a mark. Use a level as a straight edge or chalk line and lightly draw a line around the room. As you install the panels, make sure its top is even with the level line. Mark vertical lines for desired spacing of panels as well.
2. Locate the wall studs and mark them lightly just above the level line. The marks are useful when you nail the panels in place.
3. Apply construction adhesive to the back of the panel and set it in place. The top of the panel should be flush with the level line on the wall.
4. Hold the panel in place and secure it with nails. If the panel covers an outlet, cut a hole for the outlet before installing.
5. Apply caulk in any gaps between panel and wall and smooth with finger or putty knife. Use caulk or lightweight spackle to fill in holes left from finishing nails.
6. Touchup as needed using high quality latex paint.

## EXAMPLE DIAGRAM:



We Can Help. Call (866) 607-0453



Industry leading manufacturer of urethane, PVC, wood, rustic, and metal millwork

[www.ekenamillwork.com](http://www.ekenamillwork.com)